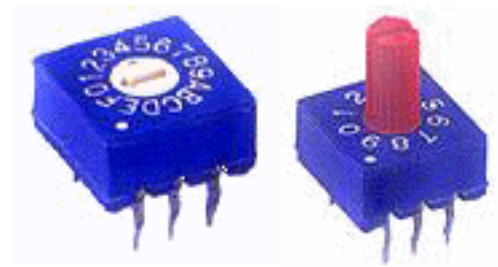


ERD SERIES

ROTARY TYPE SEALED CONSTRUCTION



Features

- Molded-in terminals and fully sealed construction.
- Standard 2.54mm pin spacing.
- All plastics are UL 94V-0 grade fire retardant.
- Reliable contact and long-term stability.
- Binary decimal (8 and 10 positions) and hexadecimal (16 positions) real and complimentary codes available.
- Pin-out is compatible with most of current equivalents.
- Gold plated contact to ensure low contact resistance.

SPECIFICATIONS

1. ELECTRICAL

Contact rating	
Switching	25mA, 24VDC
Non-switching	100mA, 50VDC
Contact resistance	100 m ohm Max. at 5VDC, 10mA
Insulation Resistance	1000M ohm Min. at 100VDC
Dielectric strength	250VDC for 60 seconds

2. MECHANICAL AND ENVIRONMENTAL

Temperature rating	
Operating	-25°C to +70°C
Storage	-40°C to +85°C
Operating force	500gf-cm Max.
Mechanical life	2000 Operations per switching position
Vibration	Per MIL-STD-202F, Method 204D
Solderability	After flux 230 ± 5°C for 5 ± 0.5 seconds, 95% coverage.
Resistance to soldering heat	260 ± 5°C for 5 ± 1 sec.
Reflow soldering heat for SMT Type (reference only)	Reflow zone 230 ± 5°C for 30 seconds

CODE

PIN NO.

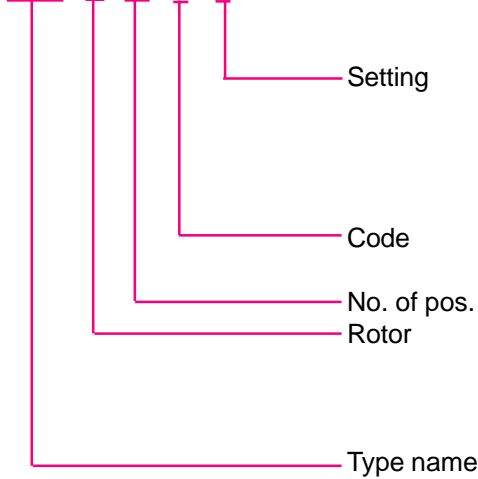
POSITION

	0	1	2	3	4	5	6	7	8	9	A	B	C	D	E	F
1	●	●	●	●	●	●	●	●	●	●	●	●	●	●	●	●
2	●	●	●	●	●	●	●	●	●	●	●	●	●	●	●	●
4	●	●	●	●	●	●	●	●	●	●	●	●	●	●	●	●
8	●	●	●	●	●	●	●	●	●	●	●	●	●	●	●	●

- Real Code
- Rotor color: White (3:3), Yellow (1:4)
- Complement Code
- Rotor color: Red (3:3), Orange (1:4)

PART NUMBERING SYSTEM

ERD 1 10 R S



Setting

Code

No. of pos.

Rotor

Type name

- S: Standard type (Top Adjust Type)
- R: Right angle type with Row Spacing 2.54mm (Side Adjust Type)
- F: Right angle type with Row Spacing 5.08 mm (Side Adjust Type)
- M: Surface Mounting type with Top Tape Sealed
- D: Surface Mounting type with Top Tape Sealed in Tape & Reel Package
- R: Real
- C: Complimentary
- 08, 10, 16
- 1: Flat type (pin out 3:3)
- 2: Shaft type (pin out 1:4)
- 4: Shaft type (pin out 1:4)
- 5: Shaft type (pin out 1:4)
- ERD: Rotary type sealed construction

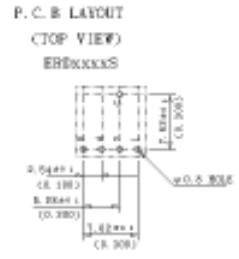
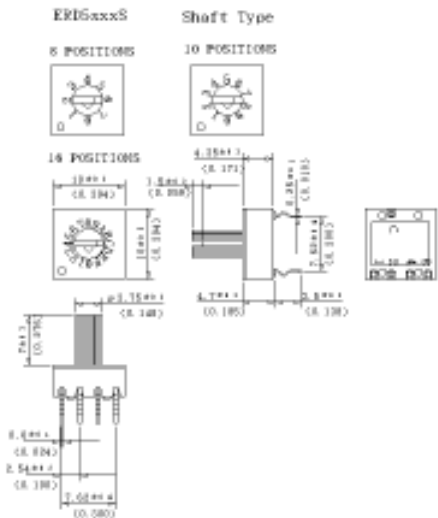
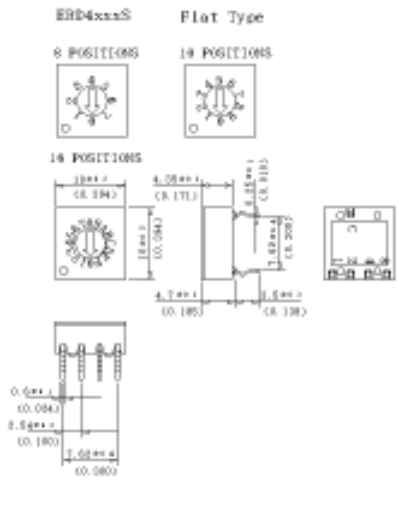
DIMENSIONS AND CIRCUITRY

PIN OUT 1:4

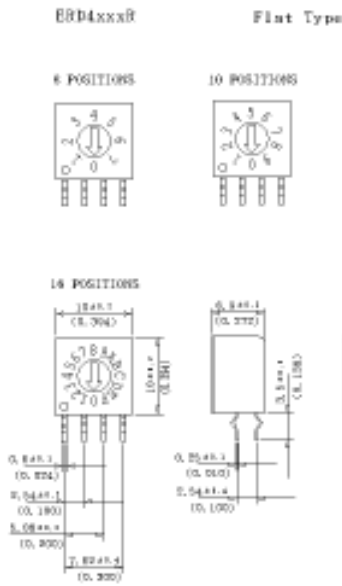


ERD 4xxxS Flat Type

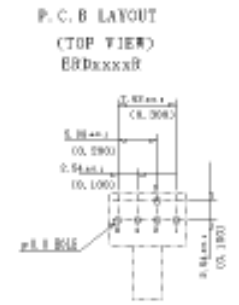
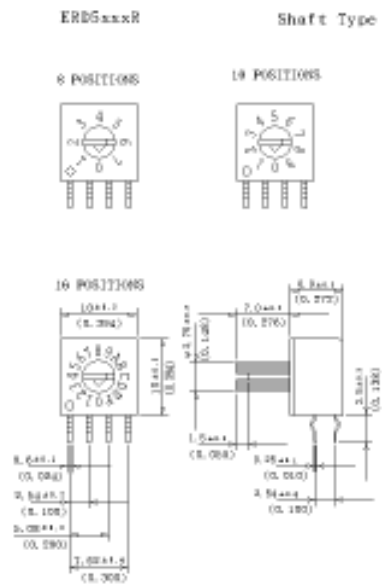
ERD 5xxxS Shaft Type



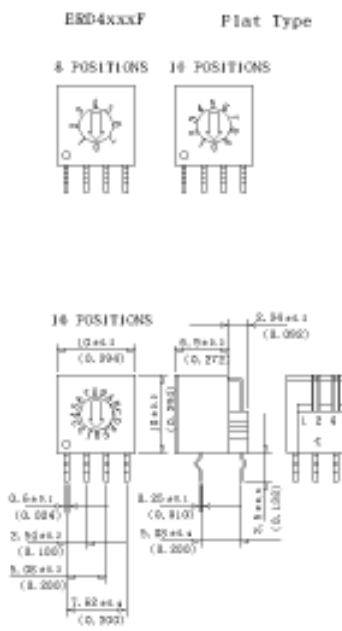
ERD 4xxxR Flat Type



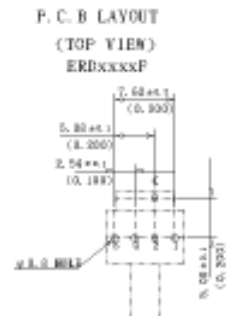
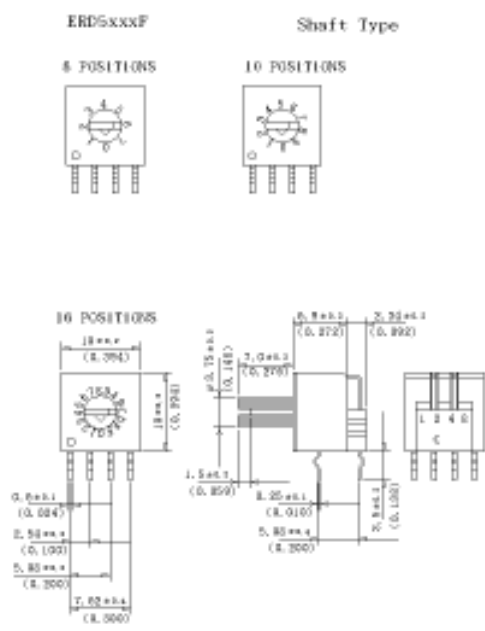
ERD 5xxxR Shaft Type



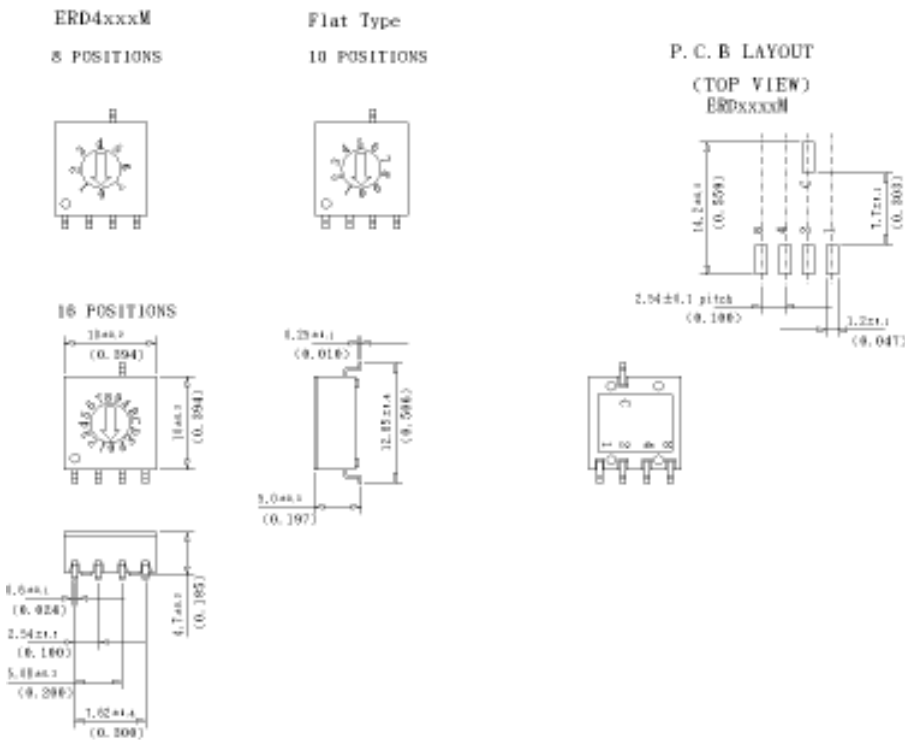
ERD 4xxxF Flat Type



ERD 5xxxF Shaft Type

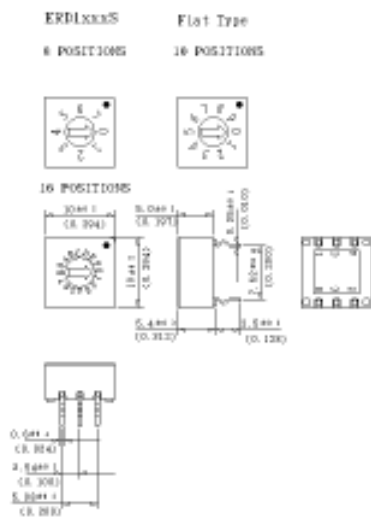


ERD 4xxxM Flat Type

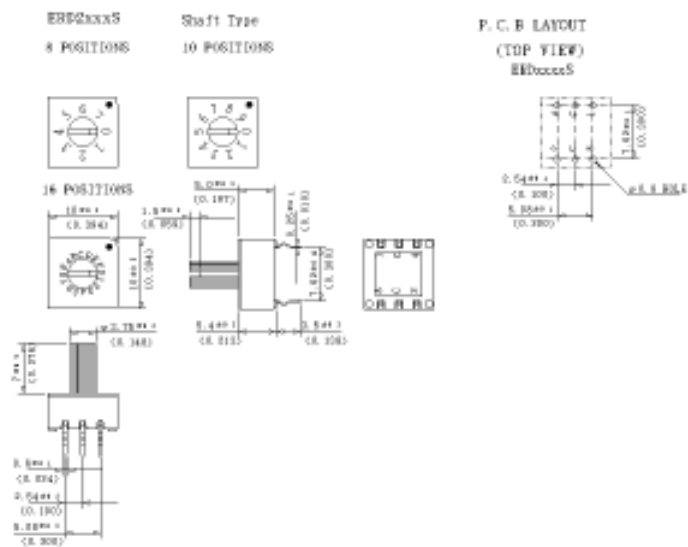


PIN OUT 3:3

ERD 1xxxS Flat Type

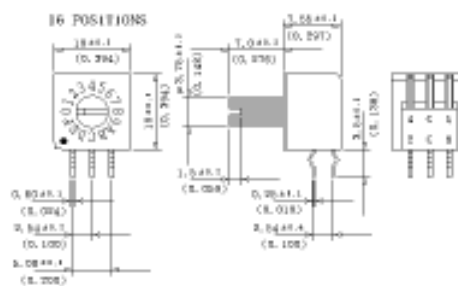
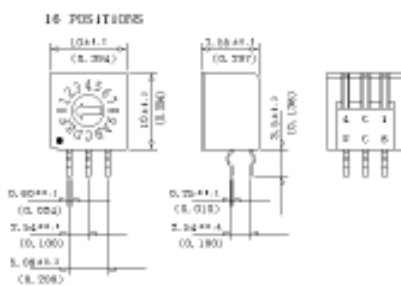
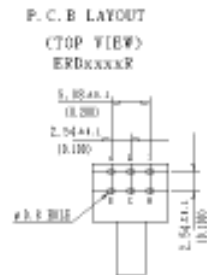
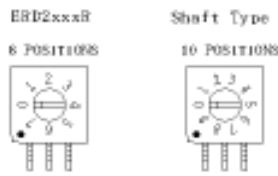
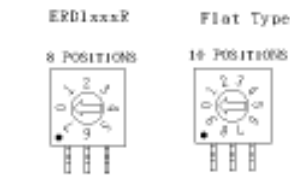


ERD 2xxxS Shaft Type



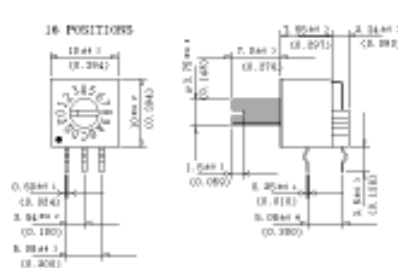
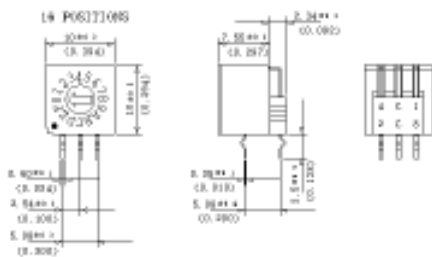
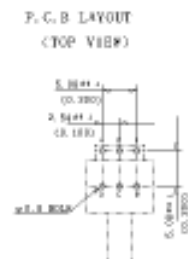
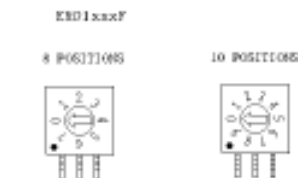
ERD 1xxxR Flat Type

ERD 2xxxR Shaft Type



ERD 1xxxF Flat Type

ERD 2xxxF Shaft Type



ERD 1xxxM Flat Type

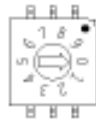
ERD1xxxM

8 POSITIONS



Flat Type

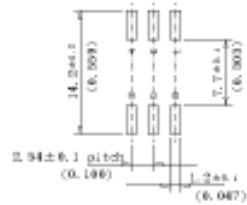
10 POSITIONS



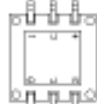
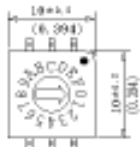
P. C. B LAYOUT

(TOP VIEW)

ERDxxxxM



16 POSITIONS



OPTIONS

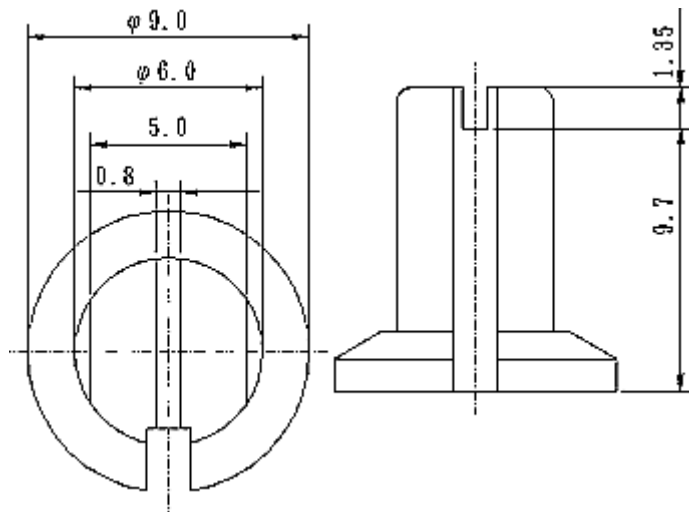
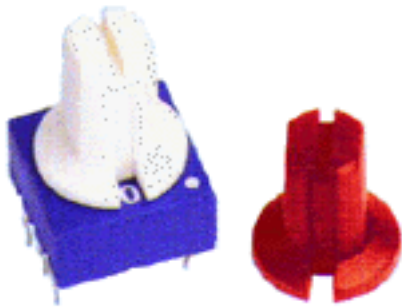
1. Special marking available upon request. 2. Shaft Cover.

118-80100(White 3:3)

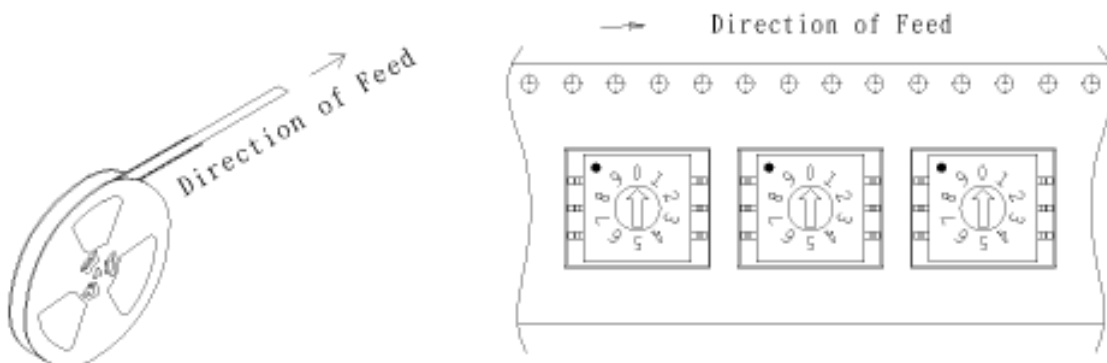
118-80200(Red 3:3)

118-80300(Yellow 1:4)

118-80400(Orange 1:4)



3. Tape & Reel Packing (Per EIA STANDARD):



Each Reel contains 700pcs switches
with a 390mm minimum leader
and a 160mm minimum trailer