



# **Piezo Film Sensors**

# **Technical Manual**

**Internet Version**

**Part 12 of 18**

Ultrasound Applications  
Medical Imaging Ultrasound  
Non-Destructive Testing (NDT)  
Acoustic Emission  
Fluid Level Sensor  
Air Ranging Ultrasound

***EHAG***

## ULTRASOUND APPLICATIONS

The wide frequency response and physical attributes of its polymeric construction makes piezo film a material of choice in certain medical probes and in nondestructive testing applications.

Additionally, the film sensors are finding application in ultrasonic based sensing devices, like air-ranging ultrasound for distance measurement, in fluid level sensors, and in-flow measurement instruments using doppler shift of sound velocity perturbations which are proportional to fluid flow.

### Medical Imaging Ultrasound

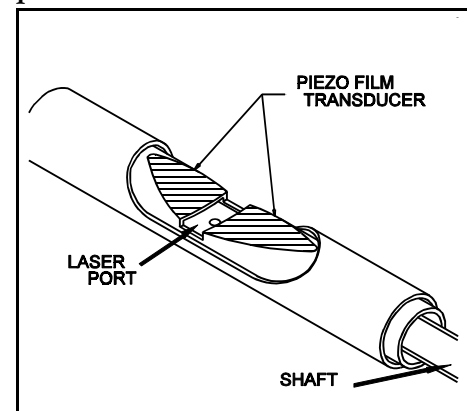
Piezoelectric ceramic materials are used in medical imaging transducers because of their high sensitivity and broad bandwidth. The  $d_{33}$  constant, strain developed for an applied voltage, is about an order of magnitude higher for piezo ceramics than for piezo polymer. A disadvantage of piezo ceramic is its high acoustic impedance, about 30 MRayls (1 MRayl =  $10^6$  kg/m<sup>2</sup>s) in contrast to about 1.5 MRayls for body tissue. This impedance mismatch can be compensated by quarter wavelength matching layers, but these can degrade the ultrasonic pulse due to adhesive layers and construction methods. The acoustic impedance of piezo film is about 4 MRayls, a much better match. Additionally, in higher frequency applications requiring very thin piezo elements, ceramics are too fragile, and cannot be shaped to desired geometries.

Invasive imaging requires lower powered devices than external probes. Resolution of the image is considerably improved at the higher frequencies of invasive catheters. A medical imaging company has developed an invasive imaging probe with piezo film for a therapeutic laser prostate catheter (Figure 61). The piezo film sensor is about 30 microns thick, and is located near the catheter tip. The unit operates at frequencies of 7 MHz and higher. This new catheter promises to greatly improve the success of prostate surgery, with much less discomfort and bleeding than current methods.

Steered *in-vivo* phased-array images using piezo polymer film have been produced for the first time by researchers at Duke University. A 32 element array of 11 mm x .56 mm elements was fabricated and tested with a well matched circuit designed to optimize the transducer. The result was 28 dB lower sensitivity than PZT transducers at 2.5 MHz operating frequency. However, the piezo film array had improved axial resolution, better angular response (6 dB pulse-echo response at 30 degrees), and a low interelement cross-coupling of -35 dB. It is exceptionally difficult to diamond blade saw PZT ceramic into these small elements; while, for piezo film, complex patterns are readily etched into the surface gold electrode. PZT must be diced due to the severe interelement coupling problem. Duke University researchers plan to improve the polymer probe by expanding the number of array elements to 128.

Very high resolution arrays can be formed by etching an electrode pattern on the surface of a piezo film. A new technique under development is the deposition of the copolymer directly onto silicon wafers. The wafers are etched to minimize interelement coupling, then the copolymer is applied by spin-coating, followed by poling. Then a top electrode is applied and inter-connections made. This advance may result in high resolution imaging not possible with today's methods.

**Figure 61. Invasive imaging probe**



### NonDestructive Testing (NDT)

Advanced composite materials are very desirable as structural members. Light weight, high strength, corrosion resistance, and non-magnetic are among the advantages for these materials. The need for very routine nondestructive testing of such structures to prevent catastrophic failure due to delamination, is one of technology's greatest concerns. Flexible sheets of piezoelectric polymer transducer arrays, acoustically well matched to the composites, are desirable for use for nondestructive testing. One example is as an NDT array for testing rocket motor housings prior to launch. These arrays can be applied to the surfaces of composite fuel housings, and each element sequentially activated to provide a pulse-echo response. An array element size of about 0.5 to 1 square inch is sufficient for this application, as well as most large area NDT. Center frequencies of 3-10 MHz and -6 dB fractional bandwidths exceeding 100% are typical with such transducer arrays.

Systems and Instrumentation, Ltd. personnel use piezo film for NDT of aerospace engine parts. NDT transducers capable of detecting flaws down to 1/64th inch are now required. Further, the frequency response range of these new materials are broader than the bandwidth of conventional transducers. S&I, Ltd. find that a single broadband transducer covers the bandwidth of interest. Their transducers are also used in near-surface NDT applications, where high resolution and short pulse duration are required. Defects of 0.8 mm in size, lying within 1 mm of the surface, have been detected with the S&I probes.

Critical points or inaccessible test areas within a composite structure, like support strut mounts, where delamination or other damage is especially likely, can have custom fabricated NDT arrays permanently affixed for in-service testing and monitoring. It is possible to achieve uniformity of  $\pm 1$  dB between the elements of a multi-element transducer array. Special shaped transducers, providing special focal characteristics, have also been built with these polymer transducers.

### Acoustic Emission

Acoustic emission of materials including fiber-reinforced composites, aluminum, steel and glass can be performed with contact microphones of piezo film, or, as with NDT, by large area arrays. These arrays can continuously monitor structures for 0.1 - 1.0 MHz acoustic emission, the precursor to structural failure. Piezo film, being broad band, responds well at these frequencies. This capability is especially necessary for critical application like tank rail cars carrying toxic products, underground fuel storage tanks, nuclear plants, etc.

### Fluid Level Sensor

There are a variety of fluid level sensing transducer technologies available to the designer. A float arm, attached to a sliding potentiometric device is still widely used in automobiles. Ultrasonic pulse-echo devices that measure the distance from a fixed transducer to the fluid surface from above through air, or from below through the fluid, are popular. Newer capacitance types, where the fluid becomes the dielectric, are also used. Each of these technologies represent tradeoffs in system cost, performance and reliability. A new ultrasound level sensor, in development by MSI, holds promise as a digital, solid state ultrasonic level sensor.

The novel construction is a level sensor with ultrasonic through-transmission with multiple transmitters and a single, common receiver. The sensor is fabricated by attaching an unmetallized strip of piezo film to a printed circuit board containing electrode patterns, conductors, and interconnections to circuitry on the opposite side of the board. The electrode patterns are capacitively coupled to the piezo film layer, becoming the multiple transmitter elements. A second conductor bar, parallel to the patterned elements becomes the common receiver.

The presence of fluid couples the transmit signal to the receiver to a much greater extent (60dB) than when the ultrasound energy is coupled by the air above the fluid. The excitation signal for the transmitter is a 1.1 MHz sine wave tone burst with an amplitude of 20 volts peak to peak. The required circuitry consists of a high frequency oscillator and clock, an array of analog switches, a single receiver amplifier with input gate, and a threshold detector. These electronics can be reduced to the chip level, and are incorporated on the backside of the circuit board.

Resolution of the level sensor is determined by the resolution of the patterned transmit electrodes on the circuit board. Parallel elements of 2 mm width and 0.5 mm spacing between elements is a representative capability. The ground electrode for the transmitters is a fully gold metallized surface on the fluid side of the piezo film transmitter array. The receiver is formed by the same piece of piezo film, capacitively coupled to the signal electrode which is a separate conductor trace on the printed circuit board (PCB). Again, the ground is the backside electrode on the film.

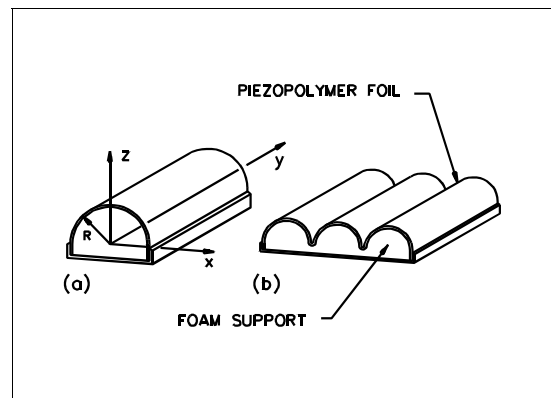
The new level sensor has several unique advantages. The spacing between transmitter elements need not be uniform. For tanks that do not have a uniform volume throughout the tank height, a simple PCB layout can linearize the nonlinear tank volume by setting the transmitter element spacing accordingly. The output of the device is digital—no expensive A/D conversion is required. The level sensor is small in width, less than 1 inch, so it can be inserted into a small diameter tube. The tube confines the motion of the fluid, reducing large swings in fluid height readings caused by motion, as with an automobile fuel tank during cornering. Reliability is greatly improved. The level sensor is self diagnostic to the extent that the transmitter/receiver pair must be operational to deliver a meaningful signal. The absence of the signal indicates a fault condition. For a detailed discussion on Ultrasonic Ink Level Sensing, see Appendix C.

## Air Ranging Ultrasound

Ultrasonic devices used in pulse-echo modes are used in robotics, vehicle safety and control system, object recognition systems and other remote distance measurement devices. The sensors provide high resolution in the targeted direction, and can be used to measure the elapsed time from transmit to receive to determine the distance to an object. Unlike piezo ceramic and electrostatic devices, piezo film can deliver a very short pulse (due to its low Q), allowing the same device to be used as both transmitter and receiver, even in the near field of the transducer.

Multiple piezo film elements can be easily fabricated, as shown in Figure 62. The geometries of these cylindrically shaped elements (length, radius of curvature, number of elements) can be designed to control the directivity pattern and acoustic properties. Transducers with operating frequencies from 40-200 kHz have been made. Elotech GmbH reports average values of transducer sensitivity are 0.2-1 mV/Pa in the receive mode (noise was < 1 $\mu$ V) and 20-50 mPa/V in the transmit mode for 1 m of distance. The minimum distances measured in pulse-echo mode was 30 mm. Distances to 15 meters have been measured with a main beam width of less than 10 degrees, and maximum side lobe amplitudes that are 12 dB down at 60 kHz. Examples of directivity patterns for single and multiple element transducers are shown in Figure 63.

**Figure 62. Air ranging ultrasound transducers**



Multiple elements can also be used for scanning of objects without physically moving the transducer. Each element within the transducer can be activated sequentially, as with ultrasonic arrays.

Applications for these ultrasound air ranging units include vehicle safety system warning devices for trucks and farm equipment, and systems for highway vehicle density monitoring. At the other extreme are piezo film transducer arrays to profile the gap thickness of modern airframe structures to improve the fit between laminations. Air gap profiling piezo film arrays have been built and tested offering resolution to  $25\mu\text{m}$  in a gap of up to 5 cm in thickness. These 30 X 30 cm arrays, having transmitter and opposing receiver elements on 2.5 cm centers were operated at 3.5 MHZ.

Figure 63. Air-ranging directivity patterns

