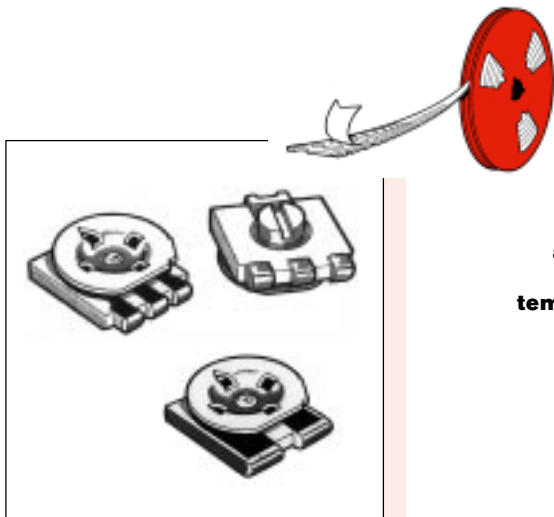


4mm open frame potentiometer



Key features

- wide value range •
- 50V operating maximum •
- available in 12mm plastic tape •
- temperature range -20C to +85°C •
- suited to pick and place •
- stable cermet element •
- attractively priced •
- low profile •

SMD Trimmers

type 3150 series

A splendid light weight, low profile skeleton potentiometer offered in a range of terminal packages. At a weight of just 0.1g and a profile height of only 1.5mm above the board it is already the natural choice for new generation hand held equipment. The central hole is filled with resin to facilitate pick and placement. Top and underside adjust versions are available.

Specification

Electrical

- Resistance Range: 100R to 1M (1, 2, 5 in each decade)
- Resistance Tolerance: ± 25%
- Temperature Coefficient: ± 250ppm/°C
- Operating Voltage: 50V DC or AC RMS; maximum
- Contact Resistance Variation: 5% of nominal maximum
- Power Rating: 0.2 watts at 70°C derating to zero at 85°C
- Effective Electrical Angle: 260° ± 20°

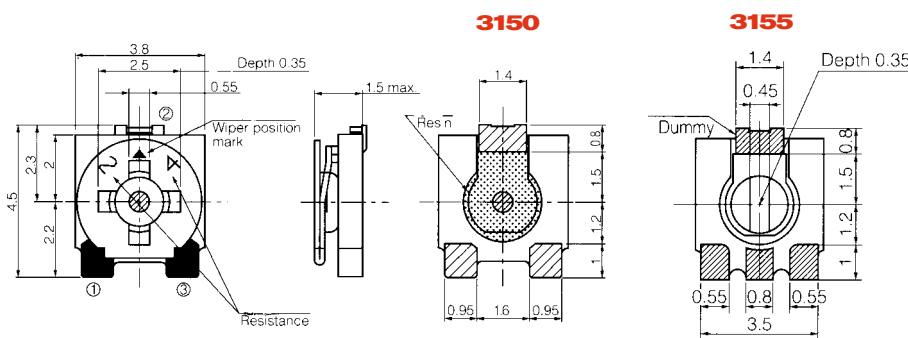
Mechanical

- Rotational Torque: 2 - 25mNm
- Mechanical Adjustment: Continuous

Environmental

- Temperature Range: - 20°C to + 85°C
- Rotational Life: 20 cycles ΔR < 15%
- Load Life: ΔR < 5% after 1000 hours
- Soldering Heat: 230°C 10 seconds, 240°C 5 seconds

Dimensions



How to Order

Common Part	Orientation	Resistance Value	Tolerance
3150 - 3 Terminals delta top adjust 3155 - 3 Terminals in line underside adjust	X - terminals away from sprocket holes	The first two digits are significant figures of resistance value and the third one denotes the number of zeros following Example 1K : 102 10K : 103 100K : 104	P - ± 25%

Packaging:  
1000 Pieces (7" Reel)

Please Request Full Data Sheet F0708