

# A722

## Video Lottery Terminal (VLT) Printer

### TPG VLT Printer

As a pioneer in the printing industry, TPG has had many firsts. We were the first to feature the Clamshell® and No-Thread™ paper loading systems. We also invented the first integrated MICR readers and hybrid thermal/impact printers. It's with this commitment to providing innovative and reliable technology that we offer yet another industry first – the A722 VLT printer.

### Market Leader

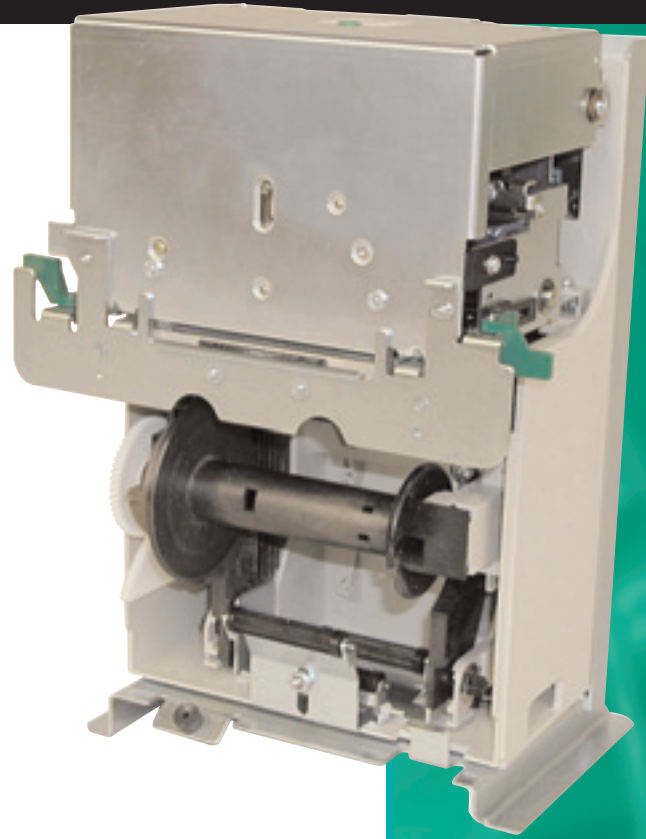
The A722 VLT is specifically designed to be enclosed within the cabinetry of a gaming machine, such as a Video Lottery Terminal. The A722 VLT's small footprint efficiently saves the customer terminal space. It is available in either a receipt or a receipt/journal model. An automatic cutter knife and paper low/paper out sensing is standard in the A722 VLT. The A722 VLT's metal rack/plate allows for a variety of mounting positions.

### Premier Technology

The A722 VLT also has TPG's trademark Clamshell design for drop-in paper loading and a No-Thread journal. The ribbon cassette has been designed for a snap-off/snap-on, "clean fingers" installation and can be used with any new or recycled bond paper. These features minimize servicing errors and downtime, and makes the A722 VLT your ideal choice for the gaming market.

### Simply Reliable

No preventative maintenance is required for the A722 VLT during regular work cycles. The A722 VLT's simple design minimizes moving parts, providing unmatched reliability and reduced service costs. The Clamshell design eliminates problems resulting from operational error during paper loading. And the A722 VLT's innovative design is backed by a 1-year warranty.



The ease-of-use of TPG's A722 helps to eliminate servicing errors and downtime, making this printer the ideal choice for the gaming market.



# A722

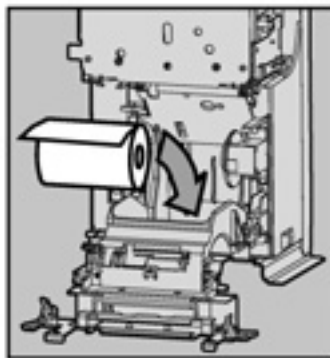
## Video Lottery Terminal (VLT) Printer



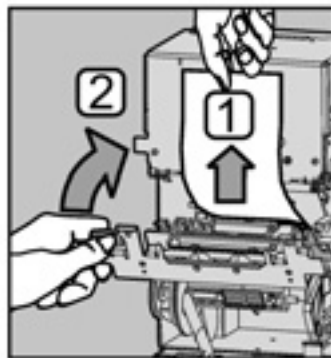
### Technical Specifications

<b>Interfaces</b>	RS-232C Buffer	With 9 Pin D-Shell Connector 4K
<b>Dimensions (W x D x H)</b>		211 mm x 183 mm x 285 mm (8.32 in. x 7.2 in. x 11.2 in.)
<b>Weight</b>		3.7 kgs. (8 lbs. With Journal)
<b>Media Loading</b>	Receipt Journal Option Ribbon	Drop In Clamshell® No-Thread™ Journal (No Spindle Required) Snap-In
<b>Print Mechanism</b>	Print Technology Print Speed Font Cell Size Characters Per Inch Columns	Bi-directional, Logic Seeking, 9-Pin Impact 288 Lines Per Minute (up to 4.2 LPS) at 40 Columns, 10 x 7 or 5 x 9 Standard & Compressed Font From 13.2 CPI to 16.8 CPI 42 or 51 (40 Columns Standard)
<b>Code Pages</b>		CP437 US, CP850 Multilingual (Latin I), CP852 Slavic (Latin I), CP865 Nordic
<b>Bar Codes Supported</b>		UPC-A, UPC-E, Code 39, Code 128, EAN/JAN 8 and EAN/JAN 13, Interleaved 2 of 5, Codabar
<b>Reliability</b>	Print Mechanism Auto Knife Cutter	12.5 Million Lines 700,000 Cuts
<b>Paper Requirement</b>	Paper Type Paper Roll Size  Paper Thickness Number of Plies	Bond – New and Recycled 82.55 mm (3.25 in.) W x 88.89 mm (3.5 in.) D Receipt Only 82.55 mm (3.25 in.) W x 63.5 mm (2.5 in.) D Journal Only 82.55 mm (3.25 in.) W x 79.37 mm (3.125 in.) D Two Ply 0.076 - 0.086 mm (0.003 - 0.0034 in.) Up to Two Plies
<b>Power</b>		24V range 22.8V to 25.2V

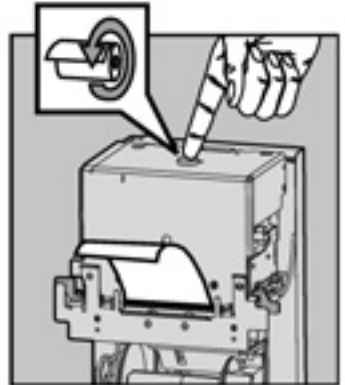
### A722 VLT Paper Loading – An easy 3-step process



1. Open the cover and Clamshell



2. Place the paper



3. Close the Clamshell and the cover. You're done!



**Transaction Printer Group, Inc. – Headquarters**  
25 Tri-State International, Suite 200, Lincolnshire, IL 60069  
Tel: 847 383 7900 Fax: 847 383 7949 [www.TPGprinters.com](http://www.TPGprinters.com)

**USA – 800 732 8950**  
**Maxatec – 44 0 161 942 7850**

© 2004 Transaction Printer Group, Inc. a subsidiary of ATSI Holdings, Inc. All Rights Reserved. Patents pending. All trademarks or registered trademarks are the property of their respective owners. Printed in U.S.A. Product specifications are subject to change in order for TPG to continue to meet the needs of the market.